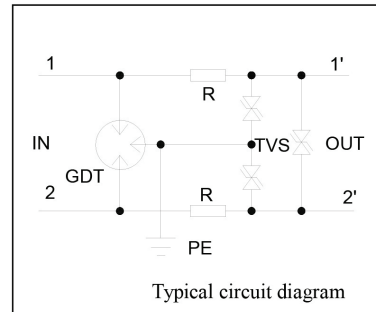
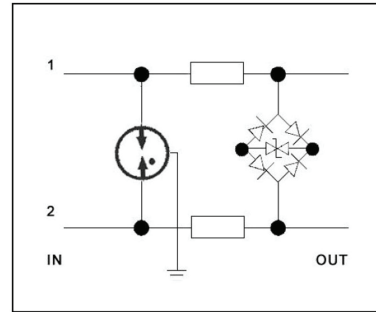




- RS-485 protector in according with IEC61643:21
- Standard design for double-wire systems
- Limit the transients with gas discharge tubes, protection resistors and transzorb diodes
- Three-stage protection circuit
- In aluminium housing
- Terminal block connector
- Simple installation



Part No.	ASID-05-C-2	
In accordance with	IEC 61643-21	
Nominal voltage (Vdc)	Un	5
Max. continuous operating voltage (Vdc/ac)	Uc	5/6
Nominal Discharge Current (8/20μs,KA)	In	5kA
Max. Discharge Current (8/20μs,KA)	Imax	10kA
Nominal Current (A)	I _L	0.5A
Voltage protection level (V)	L-SG@C2 (8/20μs)Up	<30
	SG-PG@C2(8/20μs)Up	<600
	L-SG@C3 (1KV/μs)Up	<24
	SG-PG@C3(1KV/μs)Up	≤800
Transmission Speed (bps)	2Mbps	
Series impedance per line (Ohm)	3 Ohm	
Insertion loss (dB)	≤0.5	
Protected line	1 pair	
Type of Connection IN/OUT	3.81 Terminal Block	
Dimensions (mm)	76 X 25 X 25	
Operating temperature range	- 25~+70	

